

Colamark



A920 Front And Back Labeling System

MULTI-FUNCTION

Colamark A920 Front and Back Labeling System is an ideal choice for the daily chemicals, food and beverages, pharmaceutical and other light industries automatic two sides labeling on oval shaped or rectangular shaped containers.

RELIABILITY & PRECISION

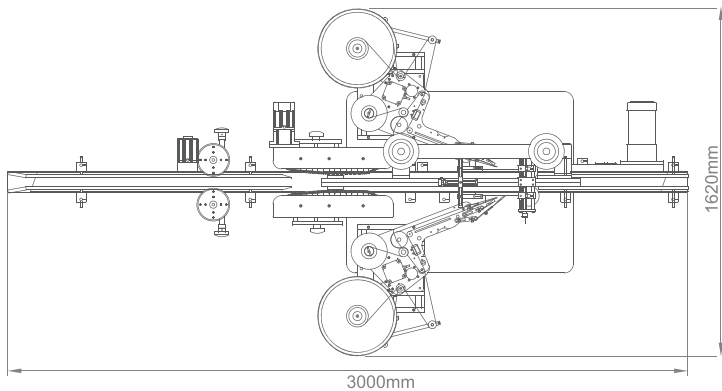
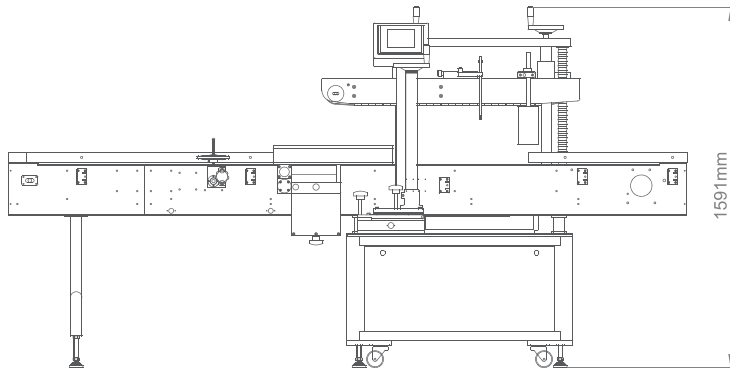
An alignment device composed of a pair of side chains are used for adjustment device to ensure the bottles can be positioned well before entering into the labeling device

SIMPLE OPERATION

Top conveyor belt adjustment device makes the operation of changing different all kinds of bottles more simple and more convenient

FLEXIBILITY

The system can be used either stand-alone, or integrated easily into the existing production line.



Features

- ▶ Highly user friendly interactive touch-screen control makes operation convenient and straight forward. Also offers plenty of on-screen help functions and alarms.
- ▶ Design features to ensure precise and smooth labeling on oval or rectangular bottles:
 - An alignment device composed of a pair of side chains to ensure symmetrical alignment of bottles along the center line.
 - A top conveyor belt at synchronized speed with the main conveyor to hold the bottles in place to maintain bottle alignment and stability throughout the labeling process.
 - Optional special label sensor for detection of film transparent labels.
 - Optional registration features to cater for more specific labeling requirements:
 - Optional wrap-around device to allow handling round bottle labeling with the same machine.
 - Optional registration control device to allow precise control of label position on the round bottle in relation to registration marks.
- ▶ Features for effective prevention of the problems such as missed labeling, wrong position, and double labeling; include intelligent label quantity management, warning messages and optional visual inspection devices.
- ▶ Optional hot-stamping coder or inkjet coder for date-coding on the labels. May also provide alert on the status of the coding device.

Machine Model	A920
Container Sizes	Width (across the direction of movement): 30-90mm Heigh: ≤300mm
Labeling Speed	150 bottles/min (depends on bottles & label sizes)
Labeling Precision	±1.0mm (other than errors from bottles or labels)
Machine Demensions	(L)3000mm × (W)1620mm × (H)1591mm
Power Consumption	220VAC±5% 50Hz 2.1kW

(Custom engineered solutions are available to cater for customer's special needs.)

For continuous improvement on design and product innovations, all specification data are subject to change without prior notice

Colamark (Guangzhou) Labeling Equipment Limited

19 Jin Xiu Road, GETDD, Guangzhou, China

Tel: +86 20 8221 6718 Fax: +86 20 8221 5799 PC:510730

Colamark Technologies Limited

820 Topsail Plaza,11 On Sum Street,Shatin, Hong Kong
Tel: +852 2634 8011 Fax: +852 8161 3311 Email: info@colamark.com Web: www.colamark.com

|HongKong | Guangzhou | Kunming Chengdu | Wuhan | Chongqing | Xian | Shanghai | Qingdao | Beijing | Shenyang | Harbin|